

**CURRENT REGULATIVE LED**

**CRLED**

- CRLED is LED which supplies constant current to keep LED Intensity Consistency even when power supply voltage fluctuations or load impedance fluctuations occur.
- CRLED is used with current stabilization and current limiting

**■Features**

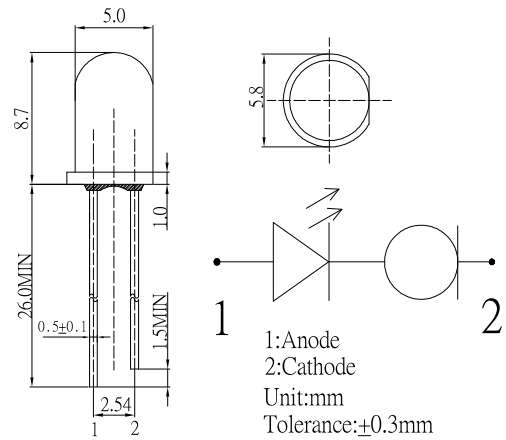
- High Luminous LEDs / 5mm Round Standard Directivity
- Superior Weather-resistance / UV Resistant Epoxy
- Water Clear Type

**■Absolute Maximum Rating**

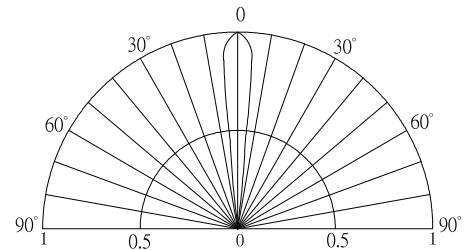
(Ta=25°C)

Item	Symbol	Value	Unit
DC Forward Voltage	V <sub>F</sub>	20	V
Power Dissipation	P <sub>D</sub>	350	mW
Operating Temperature	Topr	-30 ~ +85	°C
Storage Temperature	Tstg	-40 ~ +100	°C
Lead Soldering Temperature	Tsol	260°C/5sec	-

**■Outline Dimension**



**■Directivity**



**■Electrical -Optical Characteristics**

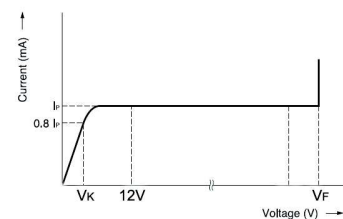
(Ta=25°C)

Part Number	Color	V <sub>F</sub> (V)		I <sub>F</sub> (mA)			I <sub>R</sub> (μA)	I <sub>v</sub> (mcd)*			λ(nm)*			2θ/2(deg)
		Min	Ma	Min	Typ.	Max.	Max..	Min.	Typ.	Max.	Min.	Typ.	Max.	Typ.
		x.		V <sub>F</sub> =12V			V <sub>R</sub> =8V	V <sub>F</sub> =12V						
LP-W5DK5111A-CRLED16	White	5.5	20		16	-	10	-	14400	-	X=0.27, Y=0.28		15	
LP-M5DK5111A- CRLED16	Warm White	5.5	20		16	-	10	-	12000	-	X=0.45, Y=0.41		15	
LP-K5DK5111A- CRLED16	Pink	5.5	20		16	-	10	-	3000	-	X=0.45, Y=0.17		15	
LP-B64L5111A- CRLED16	Ice Blue	5.5	20		16	-	10	-	14400	-	X=0.19, Y=0.29		15	
LP-B5SA5111A-CRLED16	Blue	5.5	20		16	-	10	-	8400	-	465   470   475		15	
LP-G5DA5111A-CRLED16	Pure Green	5.5	20		16	-	10	-	20000	-	520   525   530		15	
LP-Y5PA5111A- CRLED16	Yellow	5	20		16	-	10	-	12000	-	585   590   595		15	
LP-O5PA5111A- CRLED16	Orange	5	20		16	-	10	-	12000	-	600   605   610		15	
LP-R5PA5111A- CRLED16	Red	5	20		16	-	10	-	12000	-	620   625   630		15	

- \*1 Tolerance of measurements of chromaticity coordinate is ±10%
- \*2 Tolerance of measurements of dominant wavelength is ±1nm
- \*3 Tolerance of measurements of luminous intensity is ±15%
- \*4 Tolerance of measurements of forward voltage is ±0.1V

**■Applications**

- Electronic Signs And Signals/ Small Area Illuminations
- Back Lighting/ Toys/ Other Lighting

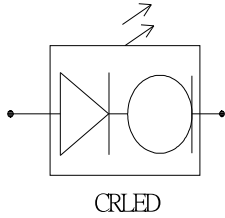


Explanation of terms  
I<sub>i</sub> Pinch-off current at 12v  
V<sub>k</sub> Voltage which produces 0.8I<sub>p</sub> or greater current  
V<sub>F</sub> Breakdown voltage

Current Regulative LED
5mm Round LED
LP-XXXX5111A-CRLED16
VER A.1

■ Typical Applications

1: Single LED



2: Multi- LEDs in series

